

Power

Depending on what model of CAM or ENC you have there will be specific power requirements. Some models get their power from the Ethernet, others get their power from 24VAC sources. Unless specifically stated, only the CAM and ENC devices starting with 30 can use PoE (Power over Ethernet). For example the CAM-302 can use PoE, however the CAM-312 cannot. For this example we will discuss an ENC-300, however the same applies for any CAM or ENC 30X.





Switching a CAM or ENC To Legacy PoE

Supported PoE Types

There are basically two types of PoE. However in order to use them the ENC/CAM must first be setup correctly.

Note: The maximum distance for PoE is 100 meters.

IEEE 802.3af Power over Ethernet

The first type is the IEEE 802.3af standard. This is the default mode for the ENC and CAM-30X devices so to use this no modification to the unit is required. Devices such as the Cisco IEEE 802.3af compliant Catalyst series switches can provide power to the ENC. In addition, IEEE 802.3af compliant midspan power inserters are available from a variety of manufacturers.

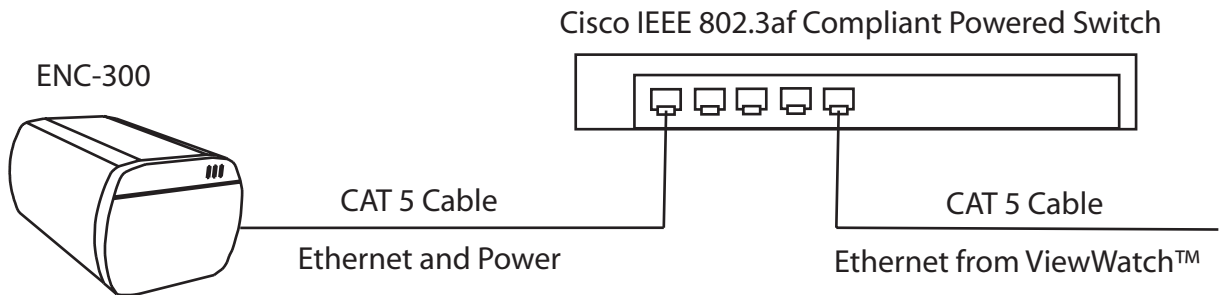


Figure 1-1 IEEE 802.3af PoE

Legacy PoE

The CAM/ENC-30X products may accept power over Ethernet from an older, pre-standard PowerDsine® 4000-series midspan power injector. An internal jumper must be installed in the CAM/ENC-30X when using these devices.

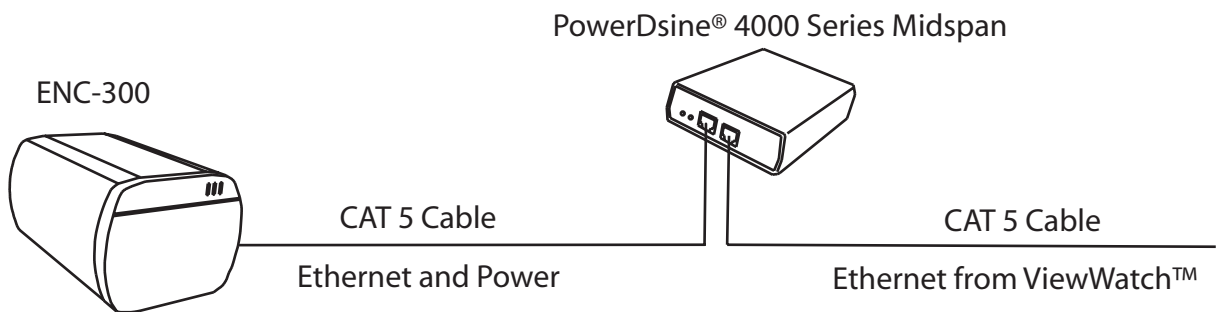


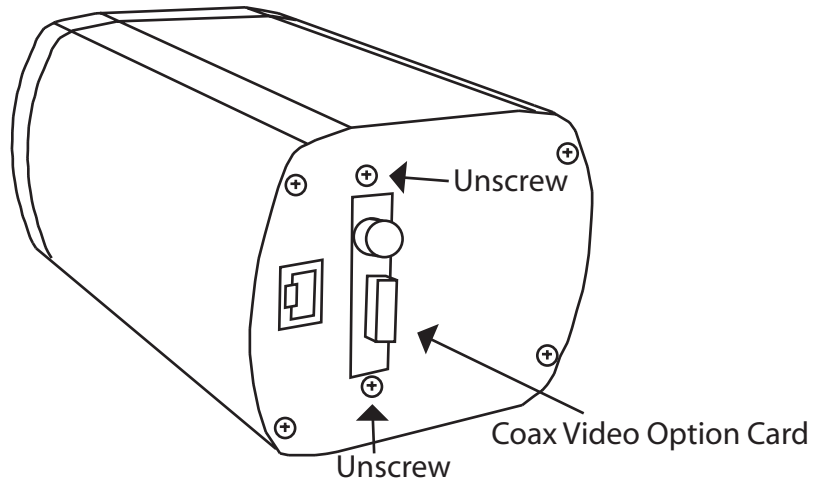
Figure 1-2 Legacy PoE



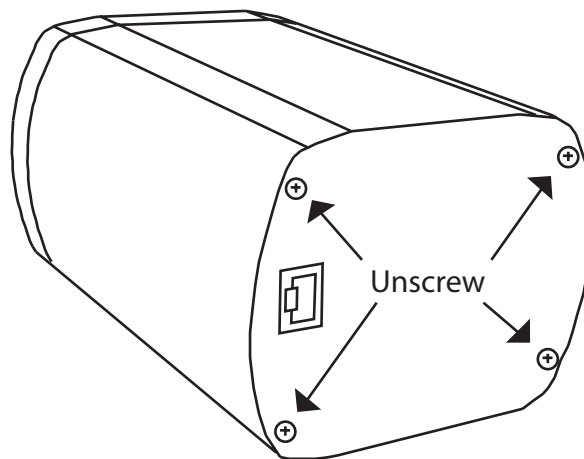
Opening The ENC

The first step to converting the ENC to use legacy power is to open the device. Please disconnect the device from any power or Ethernet lines before proceeding. Please follow these steps to open the device.

1. Unscrew any option cards in the device such as the coax video card in the ENC devices.



2. Unscrew the main rear panel.



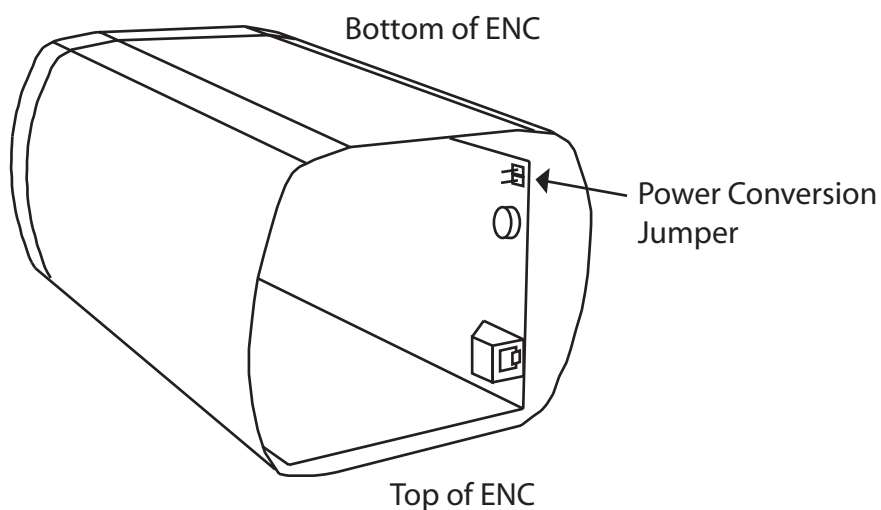
The ENC should now be open and ready for the power conversion step.



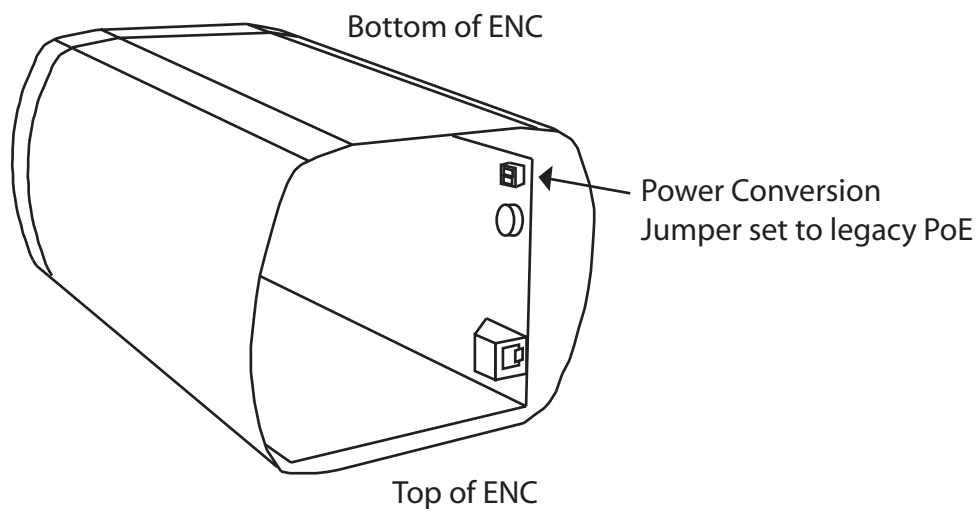
Switching a CAM or ENC To Legacy PoE

Power Conversion

With the device open locate the power conversion jumper. The jumper should be in the 'stored' position, installed on one pin only.



Move the jumper connector so that it connects the two pins.



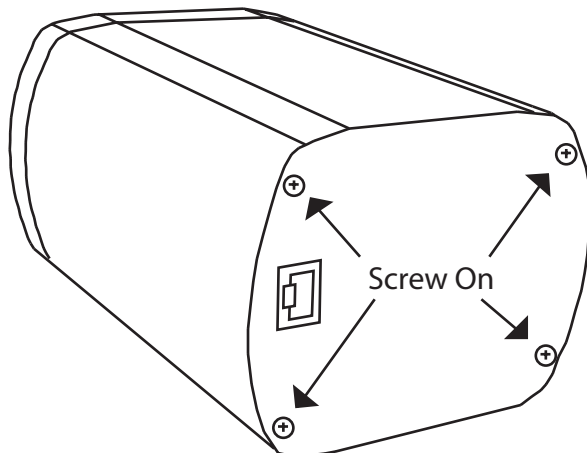
You now have the device ready for legacy power.



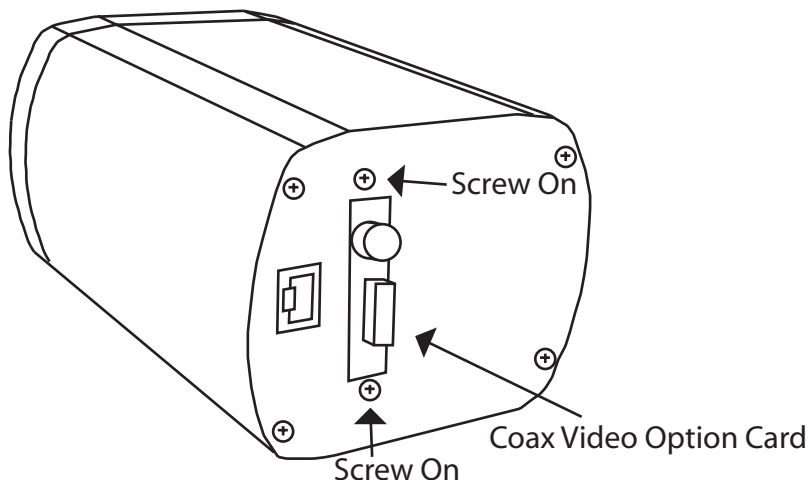
Switching a CAM or ENC To Legacy PoE

Closing The ENC

The last step in converting the ENC to legacy PoE is to close the device. Place the rear panel back on and screw on the main panel screws.



Screw on any option cards such as the coax video option card found on the ENC devices.



e-Watch Corporation
7800 IH-10 West, Suite 720
San Antonio, TX 78230
USA

tel: (210) 349-2000
fax: (210) 341-1020

For more information:

email:
sales@e-watch.com

website:
www.e-watch.com

Copyright© 2006 e-Watch Corporation. All rights reserved. e-Watch is a registered trademark of e-Watch Corporation. ViewWatch, Decision-Watch, EventWatch, SiteWatch, MotionWatch, GateWatch, AirWatch, PocketWatch, PeopleWatch, BankWatch, ClassWatch, ObjectWatch, WatchLink, Activity Gated Storage, and Gigapixel are trademarks of e-Watch Corporation. Any other trademarks mentioned in this document are the property of their respective owners. The use of the word partner does not imply a partnership relationship between e-Watch Corporation and any other company.