



e-Watch®

CAM-312-E

## Outdoor Day/Night Camera

Part of the e-Watch® Situational Awareness System

**Processing power. Multicast. Flexibility. Wireless. Not terms you normally hear when discussing surveillance cameras. But with the e-Watch® family of cameras, you get all of these and more.**

### Not the average surveillance camera

What makes the e-Watch cameras different from other surveillance cameras are the processing power and flexibility built into the cameras themselves. For example, rather than feeding either NTSC or digital video back to a single point for distribution, e-Watch cameras actually perform the analog-to-digital conversion, compress the video on board, and send multiple simultaneous video streams onto the network for viewing and archiving. As well as providing IP video onto your network, the cameras are "smart" — they allow for internal motion detection and support Activity Gated Storage™ to reduce overall storage requirements and significantly reduce the time it takes to recreate an event.

### Viewing flexibility

Users on any system have varying requirements for video. Local users may need to see high-resolution full-motion video. Remote users may need full-motion video, but at a lower bandwidth. And, both users need to view at the same time. With e-Watch cameras, that's easy. e-Watch administrators can configure the cameras to best meet the needs of their individual installations and can choose one or all of the following simultaneous video options:

1. High-resolution full-motion video (900 kbps)
2. Quarter-resolution full-motion video (110 kbps), or Quarter-resolution MJPEG (variable)
3. JPEG stills for archive (variable)

Each stream can be turned on or off to suit the viewing/archiving requirements at your site. Motion video streams are sent using Multicast, lowering overall bandwidth requirements because the camera produces a single output stream in each format no matter how many people want to view the video. Still images are archived utilizing a TCP socket connection to the e-Watch server. Bottom line? Both local and remote viewers can see the appropriate video stream without conflict or an increase in bandwidth output from the cameras — a totally non-blocked architecture for your system.



**Multicast and Unicast video**

**Support for power via 24VAC**

**Industry standard compression formats - JPEG, MJPEG and MPEG**

**Integrated 18x motorized zoom**

**Variable focus**

**Auto iris control**

**Static or dynamic IP addressing**

**10/100 Ethernet interface**

**Power PC Processor**

## Easy installation

And, speaking of system design, e-Watch makes it easy to install cameras by offering a choice of ways to power the cameras. In addition, firmware upgrades can be accomplished via the LAN. When optical and electronic adjustments need to be made to assure the best picture quality, they can be done from the viewer — an especially handy tool when cameras are mounted in places that are difficult to reach.

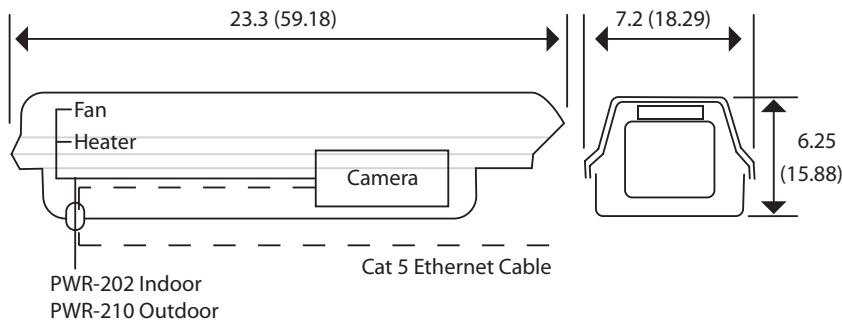
The e-Watch® Outdoor Camera is a fixed camera with an integrated 18-power zoom lens that can be controlled by the user. Used in conjunction with SiteWatch™ Situational Awareness Software, the day night Camera is part of a comprehensive, scalable, and flexible IP-video surveillance system that meets the unique needs of both security and IT professionals in your organization.

The CAM-312-E is a outdoor day night camera. Enclosed in a NEMA 3R\*\* compliant housing, equipped with a fan, and heater.

### Wiring Distance

|                   |    |    |     |
|-------------------|----|----|-----|
| <b>Wire Gauge</b> | 20 | 18 | 16  |
| <b>Feet</b>       | 40 | 64 | 102 |
| <b>Meters</b>     | 12 | 19 | 31  |

Wire gauge to distance based on 70vA



## Technical Specifications†

- Dimensions: 23.3 X 7.2 X 6.25
- Weight: 12.65 lb
- Environmental requirements: 0° to 50° C non-condensing atmosphere
- Dual-core Power PC Processor
- 10/100 Ethernet interface \*
- Power via 24VAC \*
- Auto iris
- Variable focus (4.1 to 73.8mm)
- Minimum Illumination
  - Day Mode 0.7 lux
  - Night Mode 0.01 lux
- Simultaneous encoding of video formats:
  - 704 x 480 JPEG (2 fps to 10 spf)
  - 176 x 112 MJPEG (1-15fps, 10-350kbps), or 176 x 112 MPEG-1 (30 fps, 110 kbps)
  - 352 x 240 MPEG-1 (30 fps, 900 kbps)

### Options:

- KIT-304 Outdoor Pan/Tilt Kit - includes pan/tilt head and interface card for controls
- PWR-202 24VAC, Indoor
- PWR-210 24VAC, Outdoor
- HDW-206 Wall or Pedestal/Ceiling Mounting
- HDW-207 Pole Mount Adapter
- HDW-208 Wall Mount
- HDW-209 Adjustable Head

†Technical Specifications subject to change without notice

\*Additional special order models available with alternate power supplies and network connections.

\*\*Enclosures constructed for either indoor or outdoor use to provide a degree of protection to personnel against incidental contact with the enclosed equipment; to provide a degree of protection against falling dirt, rain, sleet, and snow; and that will be undamaged by the external formation of ice on the enclosure.

†Technical Specifications subject to change without notice

e-Watch Corporation  
7800 IH-10 West, Suite 720  
San Antonio, TX 78230  
USA

tel: (210) 349-2000  
fax: (210) 341-1020

For more information:

email:  
[sales@e-watch.com](mailto:sales@e-watch.com)

website:  
[www.e-watch.com](http://www.e-watch.com)