



PARAPET, WALL MOUNT FOR PENDANT CAMERAS

- Aluminum Construction
- Maximum Load 45 Pounds (20.41 kg)
- Swivels for Easy Installation and Access to Dome
- Removable End-cap for Easy Access to Wiring

Designed for outdoor use with small-size pendant domes.

The mounts are designed to swivel within available clearance limits, which adds to the flexibility, easy maintenance, and usability of the configuration.

Manufactured from aluminum, the mounts include indexing bolts to secure the arm in position.

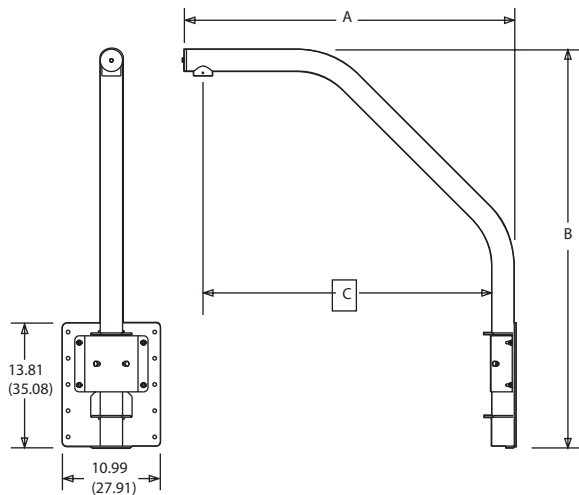
Finish Gray polyester powder coat

Unit Weight

- 9.30 lb (4.22 kg)

Shipping Weight

- 15 lb (6.80 kg)



| A | B | C |
|---------------|---------------|---------------|
| 25.50 (64.77) | 35.08 (89.10) | 20.42 (51.87) |

e-Watch Corporation
 7800 IH-10 West, Suite 720
 San Antonio, TX 78230
 USA

For more information:

email:
sales@e-watch.com

†Technical Specifications subject to change without notice

tel: (210) 349-2000
 fax: (210) 341-1020

website:
www.e-watch.com

Copyright© 2006 e-Watch Corporation. All rights reserved. e-Watch is a registered trademark of e-Watch Corporation. ViewWatch, Decision-Watch, EventWatch, SiteWatch, MotionWatch, GateWatch, AirWatch, PocketWatch, PeopleWatch, BankWatch, ClassWatch, ObjectWatch, WatchLink, Activity Gated Storage, and Gigapixel are trademarks of e-Watch Corporation. Any other trademarks mentioned in this document are the property of their respective owners. The use of the word partner does not imply a partnership relationship between e-Watch Corporation and any other company.