



e-Watch®

HDW-304



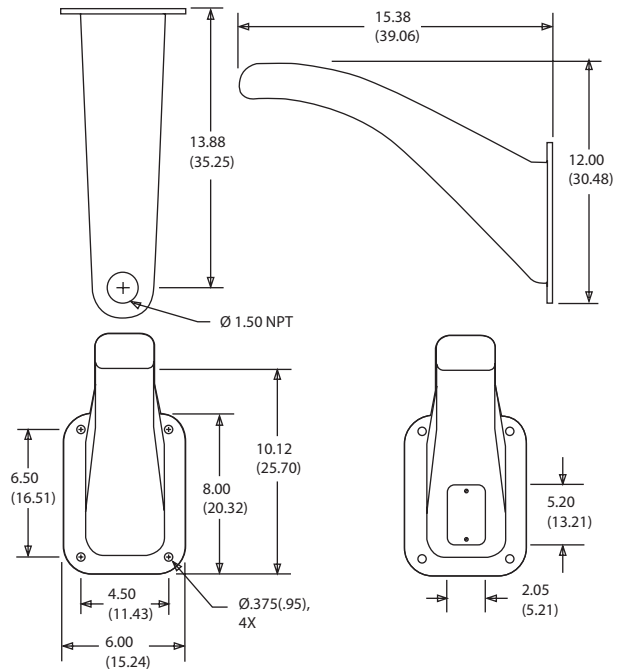
### DESCRIPTION

HDW-304 Includes Integral 24 VAC, 100 vA Transformer for use with pendant cameras. The HDW304 is constructed of aluminum and has a gray polyester powder coat finish. The HDW304 is available in black or gray and includes an integral 24 VAC, 100 vA transformer. Input power (120 or 230 VAC, 50/60 Hz) is selectable via an internal slide switch which is easily accessible through a front access cover plate. Input wiring can enter the arm from openings in the mounting plate or flexible metal conduit fittings may be installed on each side of the mount. All mounts are designed to support up to 75 pounds (34 kg).

The HDW304 is threaded for 1.5-inch NPT pipe. The HDW304 can be attached directly to any vertical load-bearing surface.

### General

Suggested Mounting Method	Secure with four 3/8-inch fasteners (not supplied)
Dome Mounting	Dome screws directly into mount suitable for the mounting surface
Environment	Indoor/outdoor
Unit Weight	4.72 lb (2.14 kg)
Shipping Weight	7 lb (3.17 kg)



†Technical Specifications subject to change without notice

e-Watch Corporation  
7800 IH-10 West, Suite 720  
San Antonio, TX 78230  
USA

For more information:

email:  
[sales@e-watch.com](mailto:sales@e-watch.com)

tel: (210) 349-2000  
fax: (210) 341-1020

website:  
[www.e-watch.com](http://www.e-watch.com)

Copyright© 2006 e-Watch Corporation. All rights reserved. e-Watch is a registered trademark of e-Watch Corporation. ViewWatch, Decision-Watch, EventWatch, SiteWatch, MotionWatch, GateWatch, AirWatch, PocketWatch, PeopleWatch, BankWatch, ClassWatch, ObjectWatch, WatchLink, Activity Gated Storage, and Gigapixel are trademarks of e-Watch Corporation. Any other trademarks mentioned in this document are the property of their respective owners. The use of the word partner does not imply a partnership relationship between e-Watch Corporation and any other company.