



Heavy Duty Mounting System

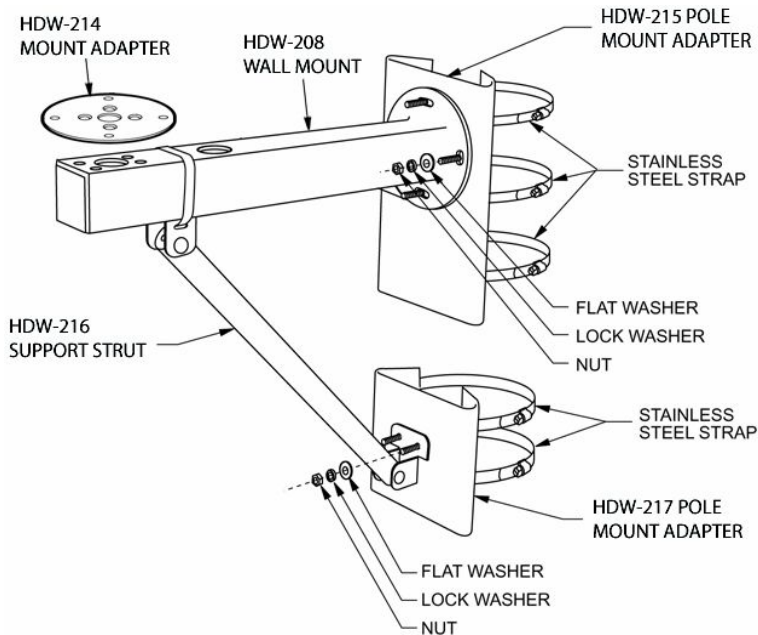


Shown With KIT-304 Outdoor Pan/Tilt Kit With Outdoor Camera

Technical Specifications

Models Used

- HDW-208 WALL MOUNT
- HDW-214 MOUNT ADAPTER
- HDW-215 POLE MOUNT ADAPTER
- HDW-216 SUPPORT STRUT
- HDW-217 POLE MOUNT ADAPTER



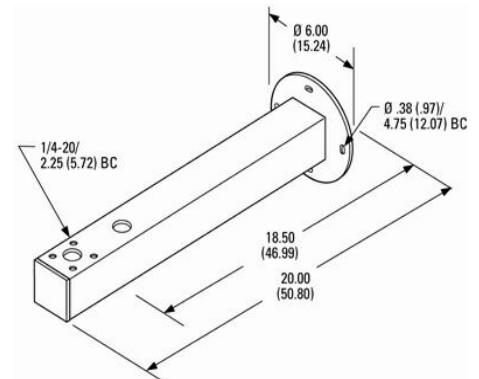
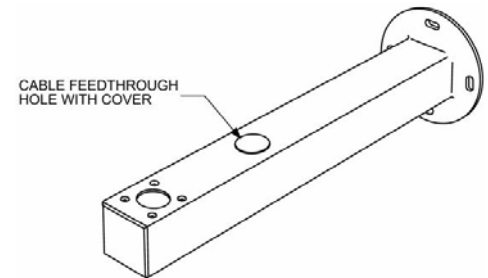
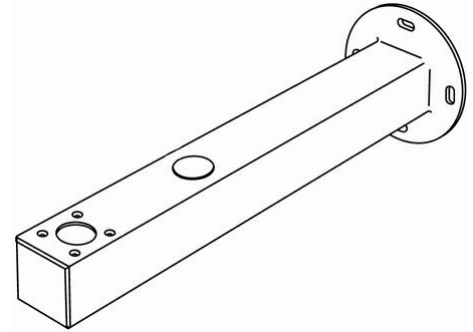


HDW-208 Wall Mount

Product Features

- Wall Mounting
- Can Also be Used in Corner, Pole, and Parapet Applications when used with Appropriate Mount Adapter
- Supports up to 75 Pounds (34 kg); 150 Pounds (68 kg) when used with HDW-216 Strut
- For use with Medium- and Heavy-Duty Pan/Tilts or Enclosures
- Cable Feedthrough Holes (Top and End of Arm); Removable Plastic Cap on Front End

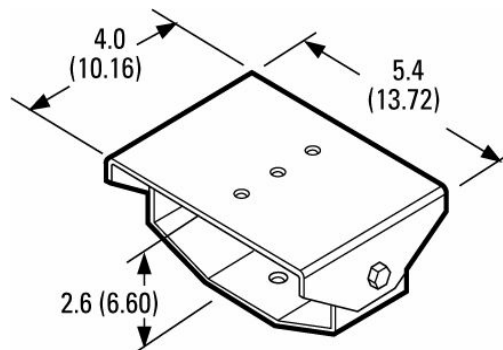
The HDW-208 is a universal wall mount designed for use with medium and heavy-duty pan/tilts or enclosures. Constructed from aluminum, the HDW-208 will safely support up to 75 pounds (34 kg). When used with the HDW-216 support strut, the maximum load is increased to 150 pounds (68 kg). Optional mount adapters are available for corner, pole and parapet applications.





HDW-209 Manually Adjustable Pan/Tilt Head

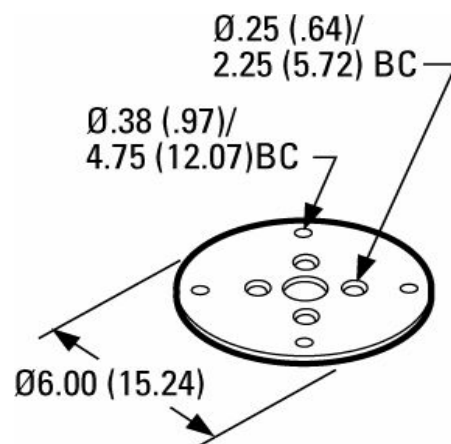
Manually adjustable pan/tilt head.



HDW-209

HDW-214 Mount Adapter

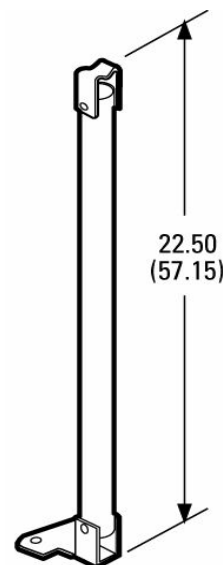
Adopts HDW-208 for use with Kit-304 outdoor pan/tilt unit.



HDW-214

HDW-216 Support Strut

Support strut; for use with HDW-208. Increases maximum load to 150 lb (68 kg)



HDW-216

Unit Weight

HDW-209	0.88 lb (.40 kg)
HDW-214	0.63 lb (.28 kg)
HDW-216	1.34 lb (.61 kg)
HDW-208	3.07 lb (1.39 kg)

Shipping Weight

HDW-209	2 lb (.90 kg)
HDW-214	1 lb (.45 kg)
HDW-216	3 lb (1.35 kg)
HDW-208	5 lb (2.26 kg)

General

Construction	Aluminum
Finish	Gray polyester powder coat

Certifications

- UL Listed



Heavy Duty Mounting System

HDW-215, HDW-217 POLE Mount Adapters

Supplied with stainless steel straps for fastening the adapters to pole. Stainless steel hardware also is provided for attaching mounts to the adapter.

SPECIFICATIONS HDW-215

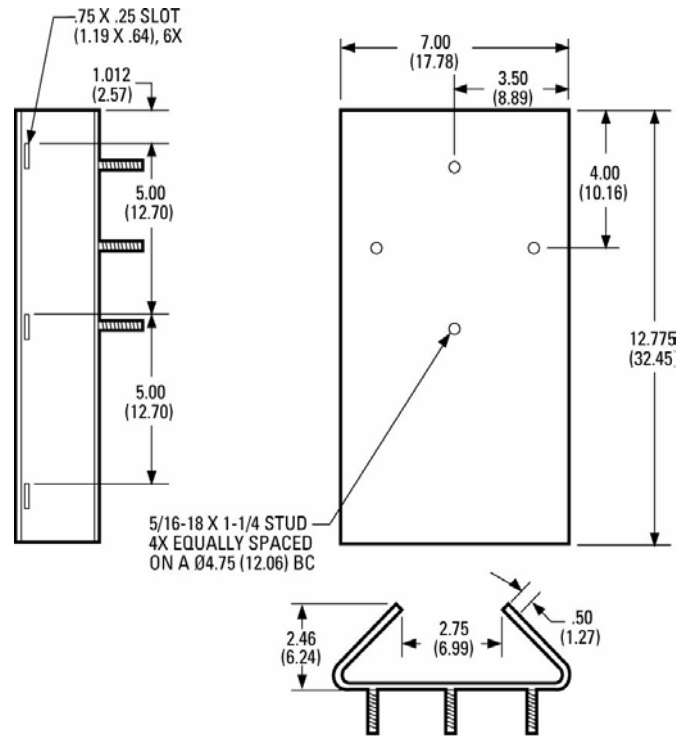
Construction	Aluminum
Finish	Gray polyester powder coat
Dimensions	12.78 in. H x 7.00 in. W (32.45 x 17.78 cm)
Weight	3.4 lb (1.5 kg)

SPECIFICATIONS HDW-217

Construction	Aluminum
Finish	Gray polyester powder coat
Dimensions	6.50 in. H x 7.00 in. W (16.51 x 17.78 cm)
Weight	1.8 lb (0.8 kg)

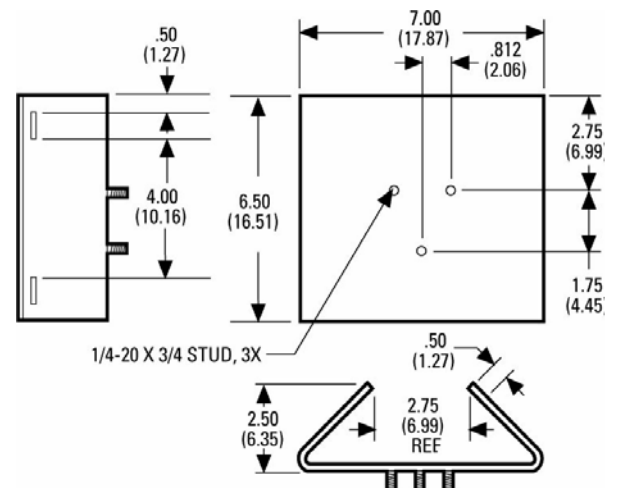
*Minimum 3" diameter pole

*Stainless steel straps are 28.5 inches long



NOTE: VALUES IN PARENTHESES ARE CENTIMETERS; ALL OTHERS ARE INCHES.

HDW-215



NOTE: VALUES IN PARENTHESES ARE CENTIMETERS; ALL OTHERS ARE INCHES.

HDW-217



HDW-218, HDW-219 Corner Adapters

MODELS

HDW-218	Corner mount adapter for HDW-208 Wall Mount
HDW-219	Corner mount adapter for HDW-216 Support Strut

MECHANICAL

Adapter Mounting	Four 5/16-inch studs provided for mounting the HDW-208 to HDW-218 (nuts and split lock washers supplied). Three 5/16-inch studs provided for mounting HDW-216 strut to the HDW-219 (nuts and split lock washers supplied).
Suggested Mounting Method	Secure to solid mounting surface with fasteners of a suitable size. (Fasteners are not supplied.)
HDW-218	Eight required
HDW-219	Four required
Maximum Load	
HDW-218	75 lb (34 kg)
HDW-219	150 lb (68 kg)

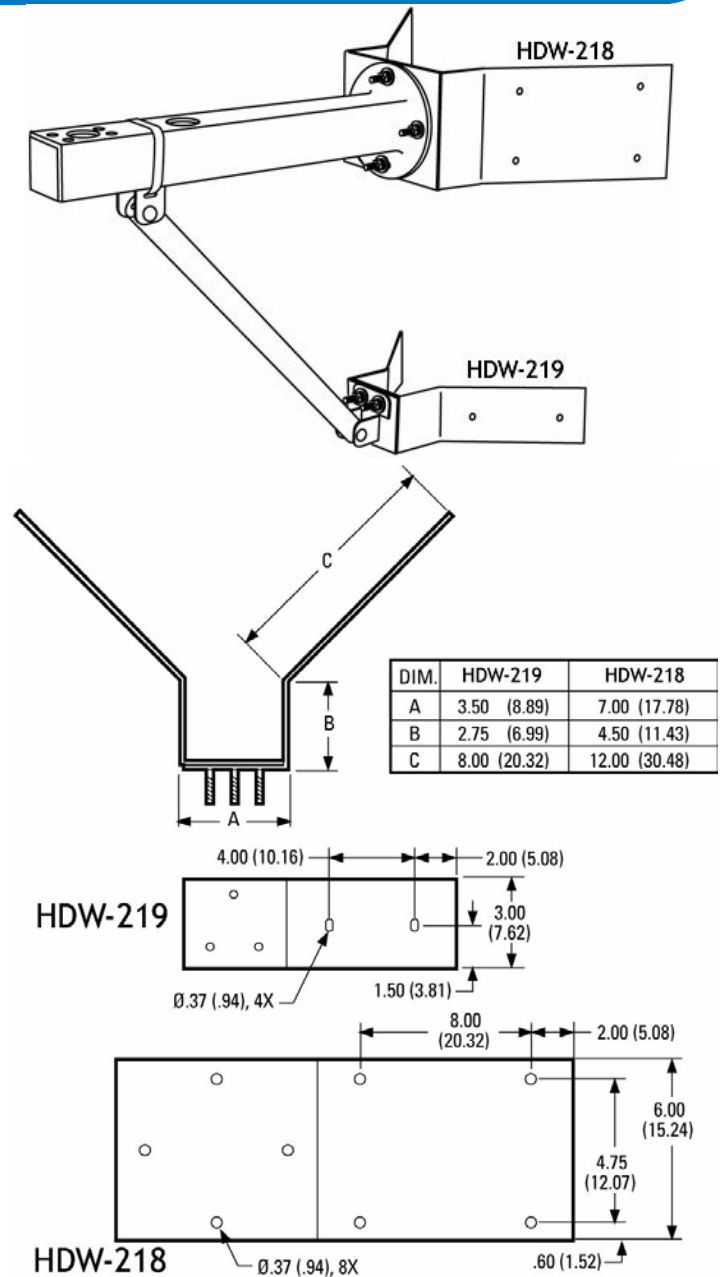
GENERAL

Construction	.125-inch (3.17 mm) thick, 5052H32 aluminum
Finish	Gray polyester powder coat
Unit Weight	
HDW-218	3 lb (1.4 kg)
HDW-219	1.5 lb (0.6 kg)
Shipping Weight	
HDW-218	5 lb (2.3 kg)
HDW-219	2 lb (0.9 kg)

CERTIFICATIONS

- UL Listed

†Technical Specifications subject to change without notice



NOTE: VALUES IN PARENTHESES ARE CENTIMETERS; ALL OTHERS ARE INCHES.

e-Watch Corporation
7800 IH-10 West, Suite 720
San Antonio, TX 78230
USA

tel: (210) 349-2000
fax: (210) 341-1020

For more information:

email:
sales@e-watch.com

website:
www.e-watch.com

Copyright© 2006 e-Watch Corporation. All rights reserved. e-Watch is a registered trademark of e-Watch Corporation. ViewWatch, Decision-Watch, EventWatch, SiteWatch, MotionWatch, GateWatch, AirWatch, PocketWatch, PeopleWatch, BankWatch, ClassWatch, ObjectWatch, WatchLink, Activity Gated Storage, and Gigapixel are trademarks of e-Watch Corporation. Any other trademarks mentioned in this document are the property of their respective owners. The use of the word partner does not imply a partnership relationship between e-Watch Corporation and any other company.