



**e-Watch®**

## **Installation Guide for ENC-310-E**

### **Outdoor Encoder**

#### **e-Watch Corporation**

7800 IH-10 West, Suite 720  
San Antonio, TX 78230  
USA

[www.e-watch.com](http://www.e-watch.com)  
tel: 210 349-2000  
fax: 210 341-1020

#### READ THIS NOTICE

THE SPECIFICATIONS AND INFORMATION REGARDING THE PRODUCTS IN THIS MANUAL ARE SUBJECT TO CHANGE WITHOUT NOTICE. ALL STATEMENTS, INFORMATION, AND RECOMMENDATIONS IN THIS MANUAL ARE BELIEVED TO BE ACCURATE BUT ARE PRESENTED WITHOUT WARRANTY OF ANY KIND, EXPRESS OR IMPLIED. USERS MUST TAKE FULL RESPONSIBILITY FOR THEIR APPLICATION OF ANY PRODUCTS.

THE SOFTWARE LICENSE AND LIMITED WARRANTY FOR THE ACCOMPANYING PRODUCT ARE SET FORTH IN THE INFORMATION PACKET THAT SHIPPED WITH THE PRODUCT AND ARE INCORPORATED HEREIN BY THIS REFERENCE. IF YOU ARE UNABLE TO LOCATE THE SOFTWARE LICENSE OR LIMITED WARRANTY, CONTACT YOUR E-WATCH REPRESENTATIVE FOR A COPY. NOTWITHSTANDING ANY OTHER WARRANTY HEREIN, ALL DOCUMENT FILES AND SOFTWARE OF THESE SUPPLIERS ARE PROVIDED 'AS IS' WITH ALL FAULTS. E-WATCH AND ITS SUPPLIERS DISCLAIM ALL WARRANTIES, EXPRESSED OR IMPLIED, INCLUDING, WITHOUT LIMITATION, THOSE OF MERCHANTABILITY, FITNESS FOR A PARTICULAR PURPOSE AND NONINFRINGEMENT OR ARISING FROM A COURSE OF DEALING, USAGE, OR TRADE PRACTICE.

IN NO EVENT SHALL E-WATCH OR ITS SUPPLIERS BE LIABLE FOR ANY INDIRECT, SPECIAL, CONSEQUENTIAL, OR INCIDENTAL DAMAGES, INCLUDING, WITHOUT LIMITATION, LOST PROFITS OR LOSS OR DAMAGE TO DATA ARISING OUT OF THE USE OR INABILITY TO USE THIS MANUAL, EVEN IF E-WATCH OR ITS SUPPLIERS HAVE BEEN ADVISED OF THE POSSIBILITY OF SUCH DAMAGES.

#### UNITED STATES FEDERAL COMMUNICATIONS COMMISSION NOTICE

The following information is for FCC compliance of Class A devices: This equipment has been tested and found to comply with the limits for Class A digital device, pursuant to part 15 of the FCC rules. These limits are designed to provide reasonable protection against harmful interference when the equipment is operated in a commercial environment. This equipment generates, uses, and can radiate radio-frequency energy and, if not installed and used in accordance with the instruction manual, may cause harmful interference to radio communications. Operation of this equipment in a residential area is likely to cause harmful interference, in which case users will be required to correct the interference at their own expense.

You can determine whether your equipment is causing interference by turning it off. If the interference stops, it was probably caused by the e-Watch® equipment or one of its peripheral devices. If the equipment causes interference to radio or television reception, try to correct the interference by using one or more of the following measures:

- Turn the television or radio antenna until the interference stops.
- Move the equipment to one side or the other of the television or radio.
- Move the equipment farther away from the television or radio.
- Plug the equipment into an outlet that is on a different circuit from the television or radio. (That is, make certain the equipment and the television or radio are on circuits controlled by different circuit breakers or fuses.)

Modifications to this product not authorized by e-Watch could void the FCC approval and negate your authority to operate the product.

#### COPYRIGHT AND TRADEMARK NOTICE

Copyright© 2003-2006 e-Watch Corporation. All rights reserved. e-Watch is a registered trademark of e-Watch Corporation. ViewWatch, DecisionWatch, EventWatch, SiteWatch, MotionWatch, GateWatch, AirWatch, PocketWatch, PeopleWatch, BankWatch, ClassWatch, ObjectWatch, WatchLink, Activity Gated Storage, and Gigapixel are trademarks of e-Watch Corporation. Any other trademarks mentioned in this document are the property of their respective owners.

The use of the word partner does not imply a partnership relationship between e-Watch and any other company.

e-Watch systems do not prevent crimes from being committed, but are intended to be used to monitor and investigate.

e-Watch components are electronic devices and complex commercial software products. As such, they may fail on occasion. Multiple devices with overlapping zones should be used for redundancy.

e-Watch event notification capabilities must be user programmed and activated prior to use. System reliability is dependent on the underlying network infrastructure and associated communications services that may fail on occasion. The user of the e-Watch system is advised to evaluate risk associated with network failures and operator errors. Routine auditing and preventive maintenance of the system is essential to assure optimum performance.

Event analysis and recreation is subject to system configuration, lighting conditions, environmental conditions, lens and housing cleanliness, distance to subject, operator-invoked control settings, and many other factors.

Read and follow all documentation to assure proper performance.

# C O N T E N T S

## **Preface**

- Purpose
- Audience
- Organization
- Conventions
- Obtaining Documents
- Documentation Feedback
- Obtaining Assistance

---

## **PART 1**

---

### **CHAPTER 1**

---

### **CHAPTER 2**

---

### **CHAPTER 3**

---

### **CHAPTER 4**

---

### **CHAPTER 5**

---

## **PART 2**

---

### **APPENDIX A**

---

### **APPENDIX B**

---

### **APPENDIX C**

---

### **APPENDIX D**

---

## **Installation Guide**

### **INTRODUCTION 1**

- Key Features and Benefits 1
- Components Supplied with the Unit 1
- Components Supplied by Customer 1
- For More Information 2

### **BENCH SETUP 3**

- Pre-Installation 3

### **ENC-310-E POWER 6**

- Onsite Power 6

### **EXTERNAL VIDEO 8**

- Video 8

### **DOM-1XX 9**

- DOM Connection 9

---

### **COMPLETED SYSTEM 12**

### **PARTS LIST 13**

### **CUSTOMER SUPPLIED EQUIPMENT 14**

### **CABLE GLANDS 15**

## **PREFACE**

The preface describes the purpose, audience, organization, and conventions of this guide and provides information on how to obtain related documents.

The preface covers these topics:

- **Purpose**
- **Audience**
- **Organization**
- **Related Documentation**
- **Conventions**
- **Obtaining Documentation**
- **Documentation Feedback**
- **Obtaining Assistance**

### **Purpose**

This document provides instruction for the installation of the ENC-310-E Outdoor Encoder. The Installation Guide for ENC-310-E provides a parts list and diagrams. It also provides illustrations of the connections and construction required. This document acts as an illustrated guide for hardware installation.

### **Audience**

This Installation Guide provides information for hardware construction and is intended for qualified technicians involved in hardware maintenance and repair. This guide requires knowledge of basic electronic hardware installation and tools. Ability to lift five to ten pounds is required for installation of the unit.

## Organization

This guide is organized as shown in the following table

Part	Description
Part 1	‘Installation Guide’  Contains information on constructing and installing a ENC-310-E. Diagrams and procedures are included.
Part 2	‘Appendix’  Contains illustrations and listings for parts included with the ENC-310-E as well as parts required by the customer for construction of the ENC-310-E.

## Related Documentation

Refer to the following documents for further information about related e-Watch applications and products:

- **URG-9110-001—SiteWatch™ Situational Awareness System Administration Guide**
- **URG-9135-001—Installation Guide for DOM-1XX**

## Conventions

This document uses the following conventions:

CONVENTION	DESCRIPTION
<b>Boldface font</b>	Commands and keywords are in <b>boldface</b> .
<i>Italic font</i>	Arguments for which you supply values are in <i>italics</i> .
[ ]	Elements in square brackets are optional.
{x y z}	Alternate keywords are grouped in brackets and separated by vertical bars.
[x y z]	Optional keywords are grouped in brackets and separated by vertical bars.
String	A non-quoted set of characters. Do not use quotation marks around the string or the string will include the quotation marks.

Screen font	Terminal sessions and information the system displays are in screen font.
<b>Boldface</b> screen font	Information you must enter is in <b>boldface</b> screen font.
<i>Italic</i> screen font	Arguments for which you supply values are in <i>italic</i> screen font.
^	The symbol ^ represents the key labeled Control - for example, the key combination of ^D in a screen display means hold down the Control key while you press the D key.
-->	This pointer highlights an important line of text in an example.
◊	Non-printing characters, such as passwords, are in angle brackets.

## Obtaining Documentation

The following sections provide sources for obtaining documentation from e-Watch Corporation.

### World Wide Web

e-Watch documents can be found by going to the e-Watch web site [www.e-watch.com](http://www.e-watch.com)

### By Mail

e-Watch Corporation  
 7800 IH 10 West, Suite 720  
 San Antonio, Texas 78230  
 210.349.2000  
[support@e-watch.com](mailto:support@e-watch.com)

## Documentation Feedback

You can submit technical comments about e-Watch documentation in the following ways:

E-mail your comments to [support@e-watch.com](mailto:support@e-watch.com)

To submit comments by mail, write to the following address:

e-Watch Corporation  
 7800 IH 10 West, Suite 720  
 San Antonio, Texas 78230

We appreciate your comments.

## Obtaining Assistance

The following sections provide sources for obtaining assistance from e-Watch Corporation.

### Customer Support

For technical assistance please send requests to [support@e-watch.com](mailto:support@e-watch.com) or your local e-Watch reseller. You may also call 210-349-2000 and ask for Customer Support.

### Sales

For assistance with sales or marketing please call 210-349-2000 and ask for Sales or send requests to [sales@e-watch.com](mailto:sales@e-watch.com)

# Introduction

## Key Features and Benefits

The ENC-310-E is an e-Watch® Outdoor Encoder, capable of full communication with any PC running the ViewWatch™ software.

e-Watch is an enterprise wide surveillance and situational awareness system optimized for transmitting MPEG video streams, high resolution JPEG images, detected event data and other sensor and detector data using digital data transmission over both wired and wireless networks (LANs, WLANs).

The comprehensive e-Watch® Situational Awareness System is based on standard networking and Internet technology. Both real-time and archived data may be viewed from any authorized PC on the LAN, WAN or the Internet. The archive application tracks and maintains all situational awareness information and provides high-speed random access for fast location of data relating to specific events

## Components Supplied with the Unit

The unit contains the following components:

- ENC-310-E Encoder
- Two Cable Glands

## Components Supplied by Customer

Power, mounting hardware and other connections must be supplied by the customer.

## For More Information

e-Watch Sales at [sales@e-watch.com](mailto:sales@e-watch.com)

e-Watch Technical Support at [support@e-watch.com](mailto:support@e-watch.com)

## Bench Setup

### Pre-Installation

Before the unit is mounted in its permanent location, certain setup procedures must be done. These bench procedures should be done indoors in a clean dry environment, as opening the unit will be required.



*Figure 2-1 Open Unit*

## Bench Power

Power must be supplied to the unit during setup. The power requirements are 24VAC for the ENC-310-E. Connect the power lines to the ENC-310-E figure 2-2.

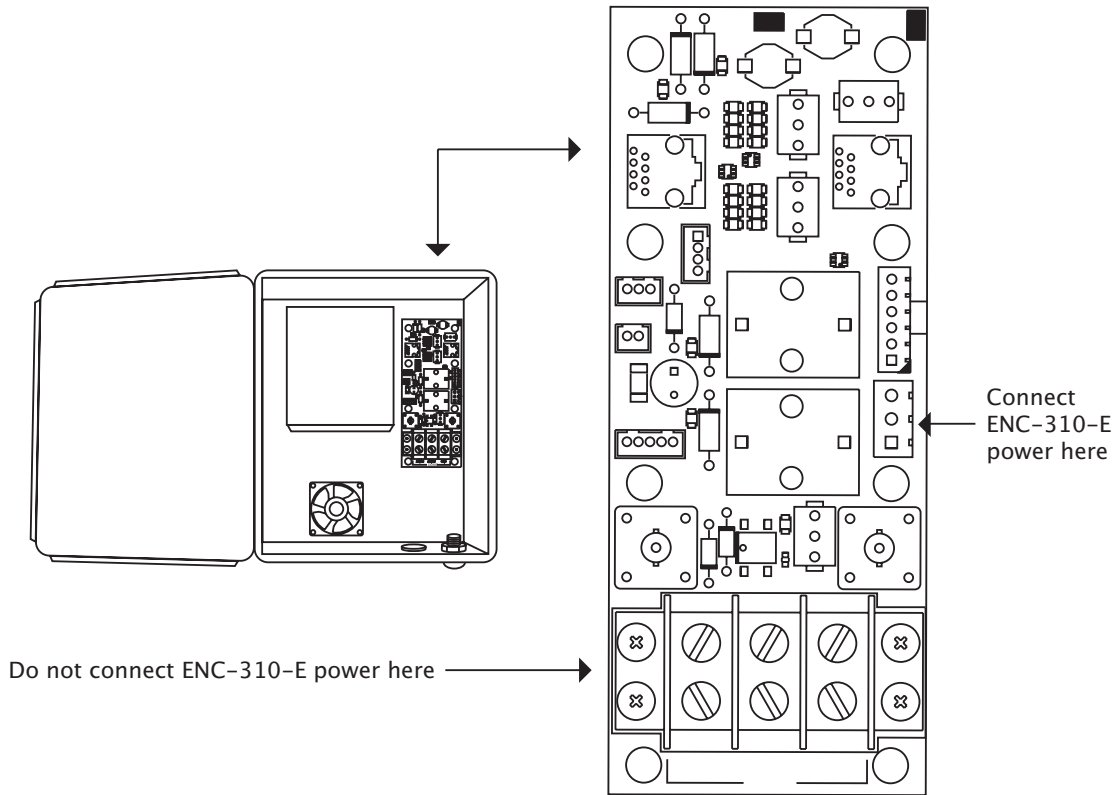
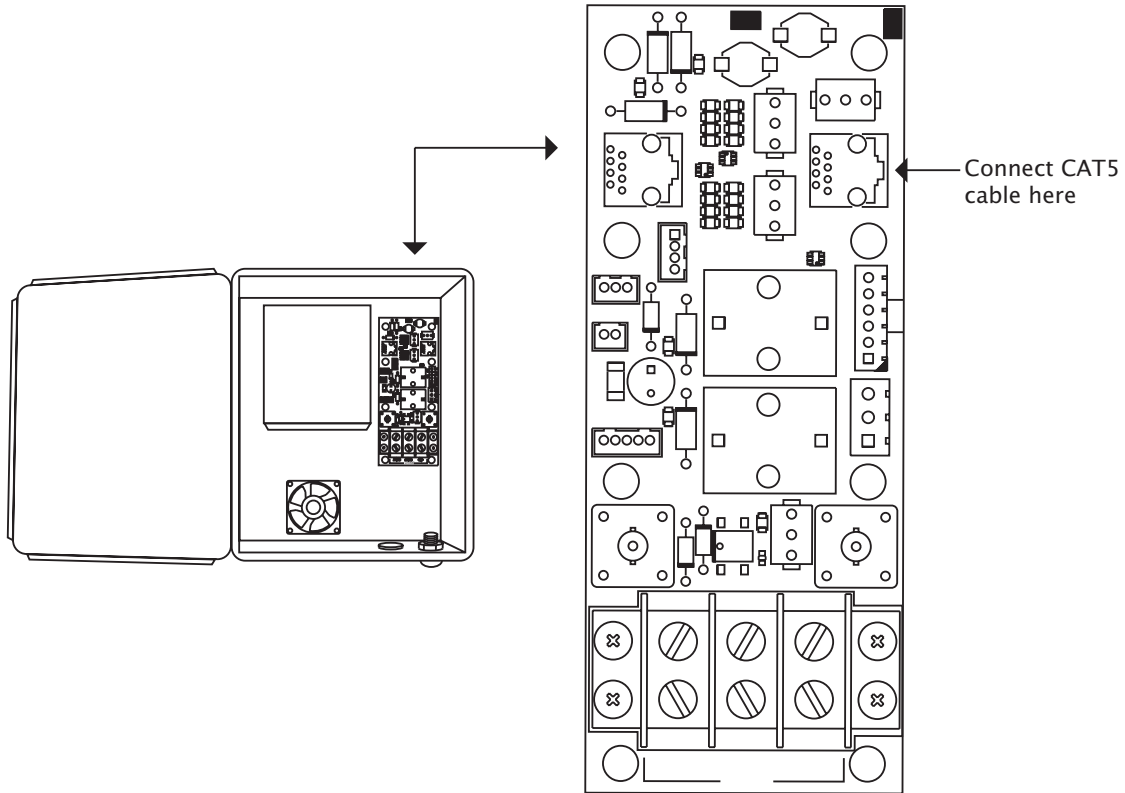


Figure 2-2 Bench Power

## Network Configuration

It is highly recommended that the network configuration of the encoder be done before the unit is installed in its permanent location. Connect a CAT5 cable to the ENC-310-5 and follow the procedures for network configuration found in the Administration Guide (Text Part Number URG-9110-001)



*Figure 2-3 CAT5 Port*

After the network setup the device is ready for onsite installation.

## ENC-310-E Power

### Onsite Power

After the unit has been installed in its permanent location, onsite power must be provided. The unit uses an estimated 70vA. Please consult table 3-1 to determine the proper wire gauge.

*Table 3-1 Wiring Gauge Based On 70vA Consumed*

<b>Gauge</b>	<b>Distance</b>
20	40 Feet (12 meters)
18	64 Feet (19 meters)
16	102 Feet (31 meters)
14	163 Feet (49 meters)
12	258 Feet (78 meters)
10	411 Feet (125 meters)

In order to keep the unit's weatherproof seal, please use the pre-installed cable gland. One extra cable gland is provided; please see "Cable Glands" on page 15 for installation instructions.

1. Run power line thru cable gland
2. Connect the power line to the ENC-310-E power connection

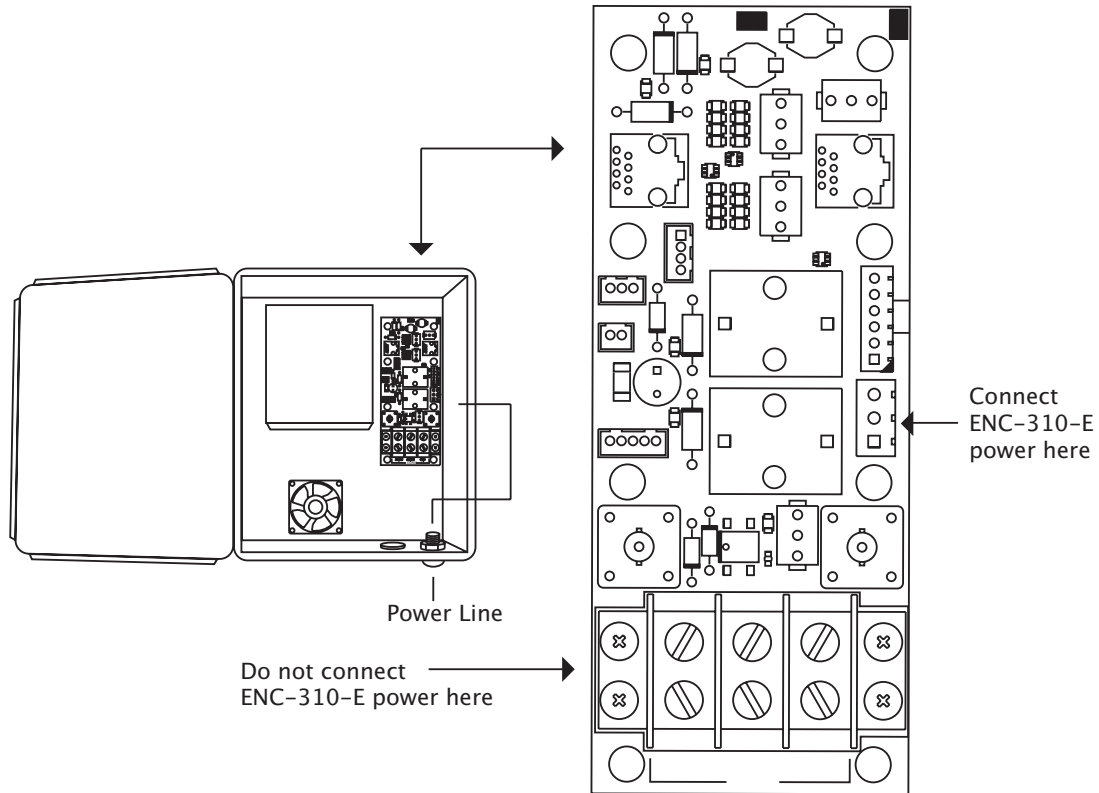


Figure 3-3 ENC-310-E Site Power

# External Video

## Video

The ENC-310-E can accept external video from a NTSC video source. Connect the coaxial cable to the video input connector. You may use the same cable gland as the power line if desired.

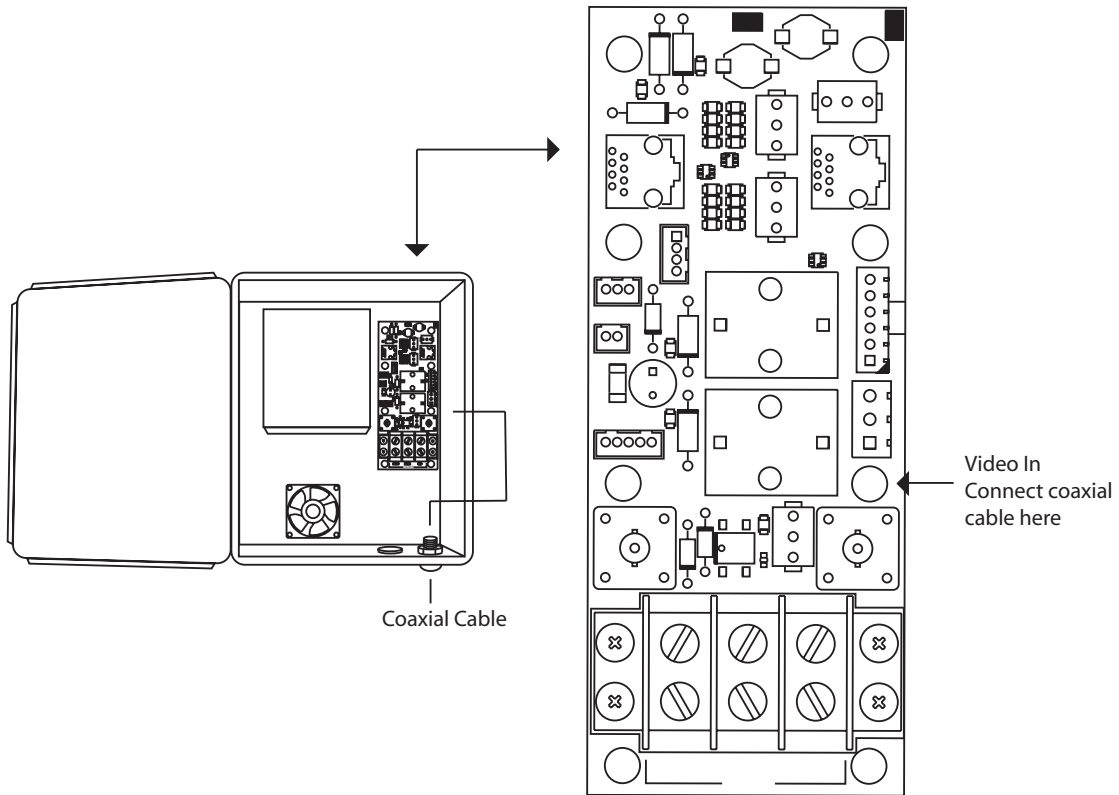


Figure 4-1 Coaxial Connection

# DOM-1XX

## DOM Connection

The ENC-310-E is capable of controlling a compatible DOM-1XX. The DOM-1XX series include the Pelco® Spectra 3 series of domes. When connected the ENC-310-E can allow full control of the DOM-1XX from the ViewWatch™ station.

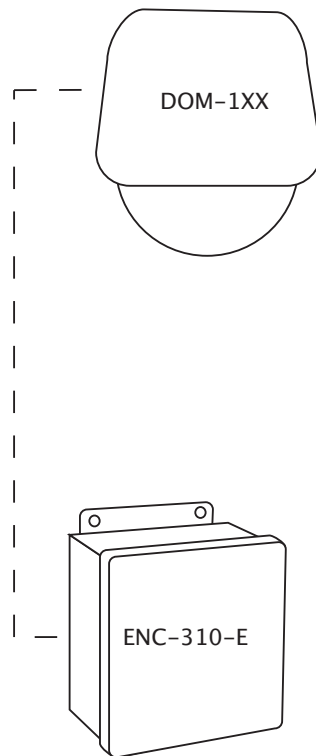
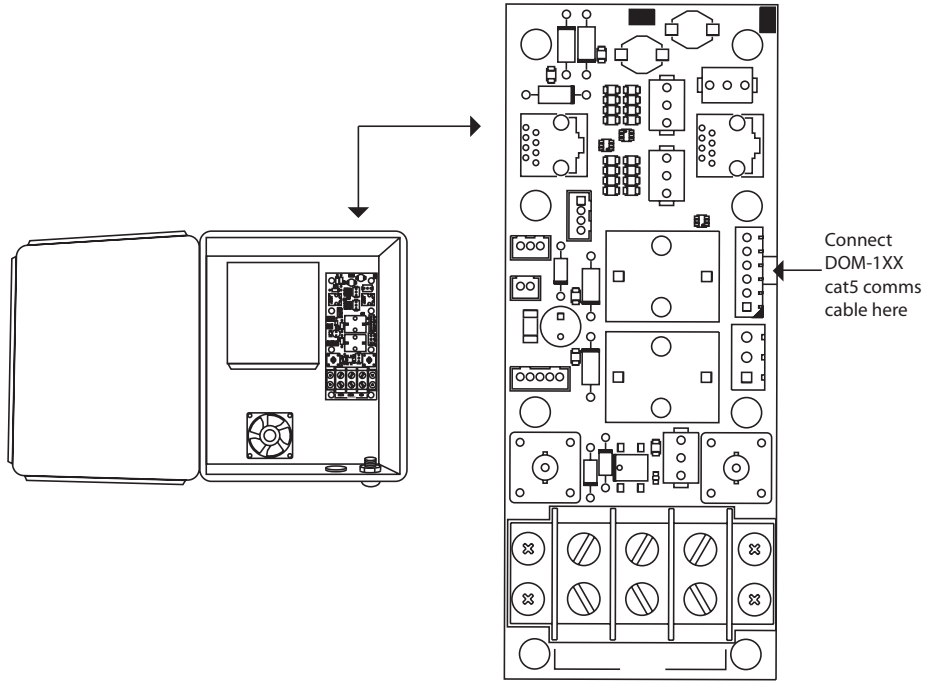


Figure 5-1 ENC-310-E to DOM-1XX

## Comms connection

Connect the CAT5 cable to the DOM comms connection on the ENC-310-E, see document URG-9135-001 for details.



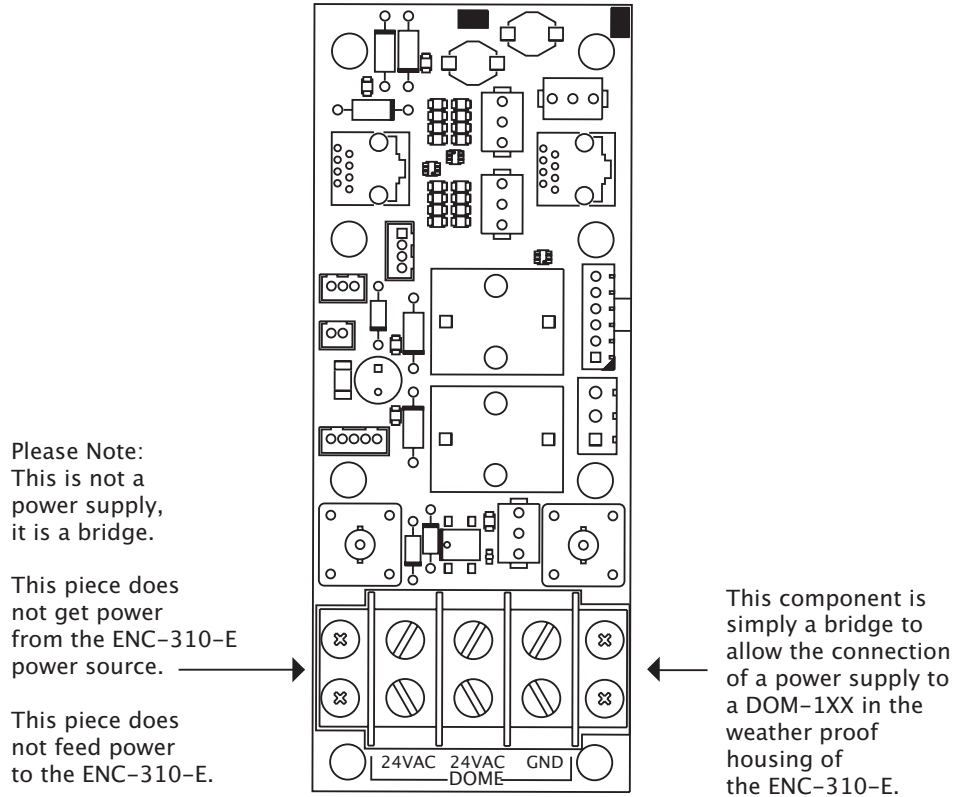
*Figure 5-2 DOM-1XX Connection*

## Video

Connect the video from the DOM-1XX to the video input on the ENC-310-E see “External Video” on page 8

**Power**

For optional convenience you may use the ENC-310-E to bridge the power from the power supply to the DOM-1XX.



*Figure 5-3 DOM-1XX Power Bridge*

## Completed System

The ENC-310-E Outdoor Encoder should appear similar to Figure A-1 below when complete.



*Figure A-1. ENC-310-E complete*

## Parts List

The following parts are supplied with the ENC-310-E Outdoor Encoder

- A. ENC-310-E
- B. Cable Gland



*A. ENC-310-E*



*B. Cable Gland*

# Customer Supplied Equipment

The following equipment and tools are required. The customer is assumed to have already purchased an e-Watch camera. Power supply and mounting brackets are also required from the customer to complete installation.

## 1. Equipment

- a. **e-Watch ENC-340-E**
- b. **24 VAC (1.5 amp) Power Supply** - Examples:
  - Pelco TF900 Indoor Power Supply
  - Pelco WSC1-4 Outdoor Power Supply
- c. **Any required mounting brackets**

## 2. Tools

- a. **#1 Philips Screwdriver or T-9 Torx Driver**
- b. **10 mm Wrench**

## Cable Glands

### Installation

If available the cable glands should always be used. They provide a weatherproof seal to help protect the unit. To install the glands, follow these steps.

1. Bolt in the gland from the outside of the housing.
2. Bolt in the nut to the gland from the inside of the housing
3. Once you have run the wiring thru the gland, tighten the end on the gland to squeeze the inner gland and create a weatherproof seal.

