



**e-Watch®**

## **Installation OPT-304 Trigger Card**

### **e-Watch Corporation**

7800 IH-10 West, Suite 720  
San Antonio, TX 78230  
USA

[www.e-watch.com](http://www.e-watch.com)  
tel: 210 349-2000  
fax: 210 341-1020

#### READ THIS NOTICE

THE SPECIFICATIONS AND INFORMATION REGARDING THE PRODUCTS IN THIS MANUAL ARE SUBJECT TO CHANGE WITHOUT NOTICE. ALL STATEMENTS, INFORMATION, AND RECOMMENDATIONS IN THIS MANUAL ARE BELIEVED TO BE ACCURATE BUT ARE PRESENTED WITHOUT WARRANTY OF ANY KIND, EXPRESS OR IMPLIED. USERS MUST TAKE FULL RESPONSIBILITY FOR THEIR APPLICATION OF ANY PRODUCTS.

THE SOFTWARE LICENSE AND LIMITED WARRANTY FOR THE ACCOMPANYING PRODUCT ARE SET FORTH IN THE INFORMATION PACKET THAT SHIPPED WITH THE PRODUCT AND ARE INCORPORATED HEREIN BY THIS REFERENCE. IF YOU ARE UNABLE TO LOCATE THE SOFTWARE LICENSE OR LIMITED WARRANTY, CONTACT YOUR E-WATCH REPRESENTATIVE FOR A COPY. NOTWITHSTANDING ANY OTHER WARRANTY HEREIN, ALL DOCUMENT FILES AND SOFTWARE OF THESE SUPPLIERS ARE PROVIDED 'AS IS' WITH ALL FAULTS. E-WATCH AND ITS SUPPLIERS DISCLAIM ALL WARRANTIES, EXPRESSED OR IMPLIED, INCLUDING, WITHOUT LIMITATION, THOSE OF MERCHANTABILITY, FITNESS FOR A PARTICULAR PURPOSE AND NONINFRINGEMENT OR ARISING FROM A COURSE OF DEALING, USAGE, OR TRADE PRACTICE.

IN NO EVENT SHALL E-WATCH OR ITS SUPPLIERS BE LIABLE FOR ANY INDIRECT, SPECIAL, CONSEQUENTIAL, OR INCIDENTAL DAMAGES, INCLUDING, WITHOUT LIMITATION, LOST PROFITS OR LOSS OR DAMAGE TO DATA ARISING OUT OF THE USE OR INABILITY TO USE THIS MANUAL, EVEN IF E-WATCH OR ITS SUPPLIERS HAVE BEEN ADVISED OF THE POSSIBILITY OF SUCH DAMAGES.

#### UNITED STATES FEDERAL COMMUNICATIONS COMMISSION NOTICE

The following information is for FCC compliance of Class A devices: This equipment has been tested and found to comply with the limits for Class A digital device, pursuant to part 15 of the FCC rules. These limits are designed to provide reasonable protection against harmful interference when the equipment is operated in a commercial environment. This equipment generates, uses, and can radiate radio-frequency energy and, if not installed and used in accordance with the instruction manual, may cause harmful interference to radio communications. Operation of this equipment in a residential area is likely to cause harmful interference, in which case users will be required to correct the interference at their own expense.

You can determine whether your equipment is causing interference by turning it off. If the interference stops, it was probably caused by the e-Watch® equipment or one of its peripheral devices. If the equipment causes interference to radio or television reception, try to correct the interference by using one or more of the following measures:

- Turn the television or radio antenna until the interference stops.
- Move the equipment to one side or the other of the television or radio.
- Move the equipment farther away from the television or radio.
- Plug the equipment into an outlet that is on a different circuit from the television or radio. (That is, make certain the equipment and the television or radio are on circuits controlled by different circuit breakers or fuses.)

Modifications to this product not authorized by e-Watch could void the FCC approval and negate your authority to operate the product.

#### COPYRIGHT AND TRADEMARK NOTICE

Copyright© 2003-2006 e-Watch Corporation. All rights reserved. e-Watch is a registered trademark of e-Watch Corporation. ViewWatch, DecisionWatch, EventWatch, SiteWatch, MotionWatch, GateWatch, AirWatch, PocketWatch, PeopleWatch, BankWatch, ClassWatch, ObjectWatch, WatchLink, Activity Gated Storage, and Gigapixel are trademarks of e-Watch Corporation. Any other trademarks mentioned in this document are the property of their respective owners.

The use of the word partner does not imply a partnership relationship between e-Watch and any other company.

e-Watch systems do not prevent crimes from being committed, but are intended to be used to monitor and investigate.

e-Watch components are electronic devices and complex commercial software products. As such, they may fail on occasion. Multiple devices with overlapping zones should be used for redundancy.

e-Watch event notification capabilities must be user programmed and activated prior to use. System reliability is dependent on the underlying network infrastructure and associated communications services that may fail on occasion. The user of the e-Watch system is advised to evaluate risk associated with network failures and operator errors. Routine auditing and preventive maintenance of the system is essential to assure optimum performance.

Event analysis and recreation is subject to system configuration, lighting conditions, environmental conditions, lens and housing cleanliness, distance to subject, operator-invoked control settings, and many other factors.

Read and follow all documentation to assure proper performance.

**C O N T E N T S**

**Preface**

- Purpose
- Audience
- Organization
- Conventions
- Obtaining Documents
- Documentation Feedback
- Obtaining Assistance

<b>PART 1</b>	<b>Installation Guide</b>	
<b>CHAPTER 1</b>	<b>INTRODUCTION</b> .....	<b>1</b>
	Key Features and Benefits .....	1
	Components Supplied with Unit .....	1
	Components Supplied by Customer .....	1
	For More Information .....	2
<b>CHAPTER 2</b>	<b>TRIGGER CARD INSTALLATION FOR E-WATCH CAMERAS</b> .....	<b>3</b>
	Overview .....	3
	Installing the Card .....	3
<b>CHAPTER 3</b>	<b>TRIGGER CARD WIRING</b> .....	<b>8</b>
	Wiring Overview .....	8
<b>PART 2</b>		
<b>APPENDIX A</b>	<b>COMPLETED SYSTEM</b> .....	<b>11</b>
<b>APPENDIX B</b>	<b>CUSTOMER SUPPLIED EQUIPMENT</b> .....	<b>12</b>

## **PREFACE**

The preface describes the purpose, audience, organization, and conventions of this guide and provides information on how to obtain related documents.

The preface covers these topics:

- **Purpose**
- **Audience**
- **Organization**
- **Related Documentation**
- **Conventions**
- **Obtaining Documentation**
- **Documentation Feedback**
- **Obtaining Assistance**

### **Purpose**

This document provides instruction for the installation of the OPT-304 trigger card. This document includes the procedures for installing the trigger card in the camera housing. The Installation Guide for OPT-304 trigger card provides a parts list and diagrams for the installation of the completed unit. It also provides illustrations of the connections and construction required. This document acts as an illustrated guide for hardware installation. The software component of this trigger card is referred to as a panic button alarm. For software operational instructions refer to document URG-9110-001 “SiteWatch™ Situational Awareness Software Administration Guide”.

### **Audience**

This Installation Guide provides information for hardware construction and is intended for qualified technicians involved in hardware maintenance and repair. This guide requires knowledge of basic electronic hardware

installation and tools. Ability to lift five to ten pounds is required for installation of the kit.

## Organization

This guide is organized as shown in the following table

Part	Description
Part 1	‘Installation Guide’  Contains information on installing an OPT-304 trigger card. Diagrams and procedures are included.
Part 2	‘Appendix’  Contains illustrations and listings for parts included with the unit as well as parts required by the customer.

## Related Documentation

Refer to the following documents for further information about related e-Watch applications and products:

- **URG-9110-001—SiteWatch™ Situational Awareness System Administration Guide**

## Conventions

This document uses the following conventions:

CONVENTION	DESCRIPTION
<b>Boldface font</b>	Commands and keywords are in <b>boldface</b> .
<i>Italic font</i>	Arguments for which you supply values are in <i>italics</i> .
[ ]	Elements in square brackets are optional.
{x y z}	Alternate keywords are grouped in brackets and separated by vertical bars.
[x y z]	Optional keywords are grouped in brackets and separated by vertical bars.
String	A non-quoted set of characters. Do not use quotation marks around the string or the string will include the quotation marks.

Screen font	Terminal sessions and information the system displays are in screen font.
<b>Boldface</b> screen font	Information you must enter is in <b>boldface</b> screen font.
<i>Italic</i> screen font	Arguments for which you supply values are in <i>italic</i> screen font.
^	The symbol ^ represents the key labeled Control - for example, the key combination of ^D in a screen display means hold down the Control key while you press the D key.
-->	This pointer highlights an important line of text in an example.
◊	Non-printing characters, such as passwords, are in angle brackets.

## Obtaining Documentation

The following sections provide sources for obtaining documentation from e-Watch Corp.

### World Wide Web

e-Watch documents can be found by going to the e-Watch web site [www.e-watch.com](http://www.e-watch.com)

### By Mail

e-Watch Corp.  
7800 IH 10 West, Suite 720  
San Antonio, Texas 78230  
210.349.2000

[support@e-watch.com](mailto:support@e-watch.com)

## Documentation Feedback

You can submit technical comments about e-Watch documentation in the following ways:

E-mail your comments to [support@e-watch.com](mailto:support@e-watch.com)

To submit comments by mail, write to the following address:

e-Watch Corp.  
7800 IH 10 West, Suite 720  
San Antonio, Texas 78230

We appreciate your comments.

## Obtaining Assistance

The following sections provide sources for obtaining assistance from e-Watch Corp.

### Customer Support

For technical assistance please send requests to [support@e-watch.com](mailto:support@e-watch.com) or your local e-Watch reseller. You may also call 210-349-2000 and ask for Customer Support.

### Sales

For assistance with sales or marketing please call 210-349-2000 and ask for Sales or send requests to [sales@e-watch.com](mailto:sales@e-watch.com)

# Introduction

## Key Features and Benefits

OPT-304 Trigger Option Card is an inbound trigger capture card. This card can be used to extend the power of the e-Watch cameras and encoders to that beyond video capabilities. The OPT-304 card can accept up to four independent triggers. The trigger option card is used in conjunction with the e-Watch panic button system.

e-Watch is an enterprise wide surveillance and situational awareness system optimized for transmitting MPEG video streams, high resolution JPEG images, detected event data and other sensor and detector data using digital data transmission over both wired and wireless networks (LANs, WLANs).

The comprehensive e-Watch® Situational Awareness System is based on standard networking and Internet technology. Both real-time and archived data may be viewed from any authorized PC on the LAN, WAN or the Internet. The archive application tracks and maintains all situational awareness information and provides high-speed random access for fast location of data relating to specific events

## Components Supplied with Unit

The unit contains the following components:

- **OPT-304 Trigger Card** - Add in card for e-Watch cameras and encoders

## Components Supplied by Customer

The unit contains all necessary components to install the card into an e-Watch camera or encoder; however, the customer must supply power, mounting hardware and other connections necessary for the e-Watch camera or encoder.

The customer should have access to a Philips screwdriver or T9 torx screwdriver and a 10mm wrench to complete the installation.

## **For More Information**

e-Watch Sales at [sales@e-watch.com](mailto:sales@e-watch.com)

e-Watch Technical Support at [support@e-watch.com](mailto:support@e-watch.com)

# Trigger Card Installation for e-Watch Cameras

## Overview

These instructions use the e-Watch CAM-301 Camera (see figure 2-1) for illustration purposes; however, these instructions will work with any e-Watch 3XX series camera or encoder. The card is to be installed inside the e-Watch camera, which requires opening and modifying the camera hardware. Care should be taken to adequately ground all tools and persons. Electrostatic discharge can destroy components. Make sure that all plugs and connections have been disconnected before working on the camera.



*Figure 2-1 e-Watch Camera*

Parts and tools required:

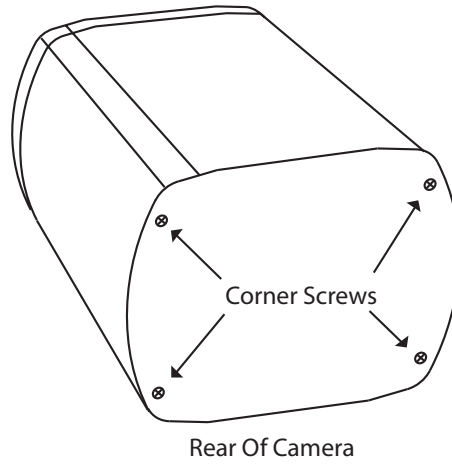
- **Philips screwdriver or T-9 torx driver**
- **Pan/Tilt card**
- **e-Watch Camera**

## Installing the Card

The trigger card can be inserted in any of the three option card slots. For our example we will use the middle slot.

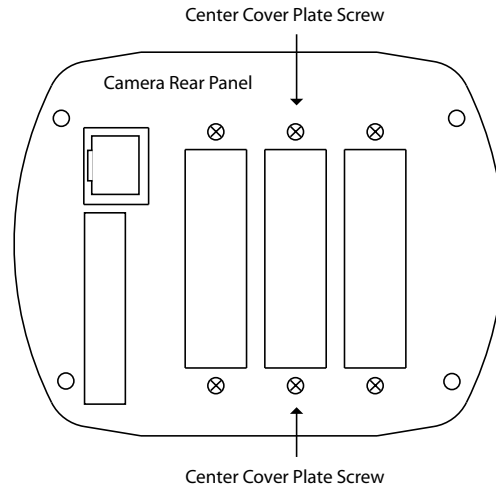
1. Ensure all cables are disconnected from the camera.

2. Remove the four corner screws from the back of the camera with a Philips screwdriver or T-9 torx driver (figure 2-2).



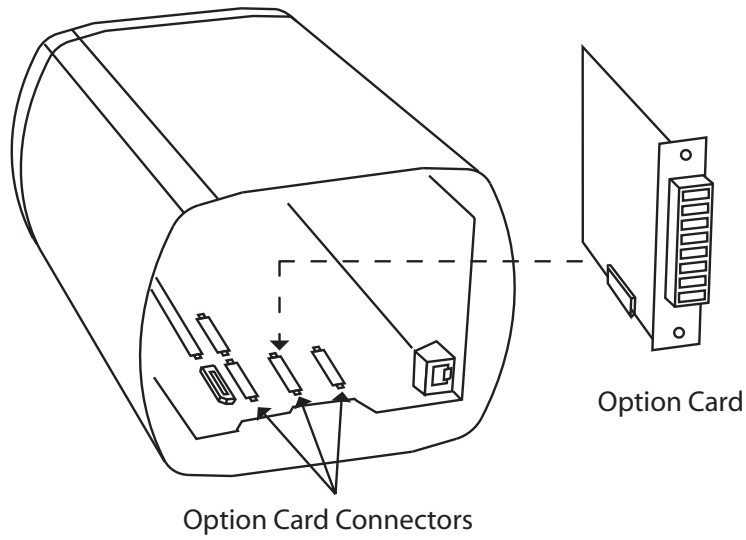
*Figure 2-2 Back Cover Plate Screws*

3. Remove the two screws holding the center cover plate with a Philips screwdriver or T-9 torx driver (figure 2-3).



*Figure 2-3 Center Cover Plate Screws*

4. Place the trigger option card in the housing with the 20-pin connector toward the camera option card connectors. (figure 2-4).



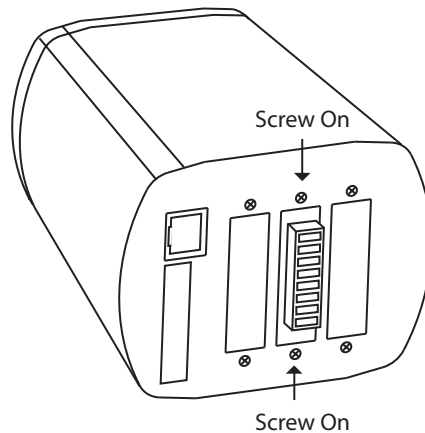
*Figure 2-4 Back of Camera with Option Card*

5. Insert the 20-pin connector on the option card into any of the three possible position connectors as shown in image 2-5.



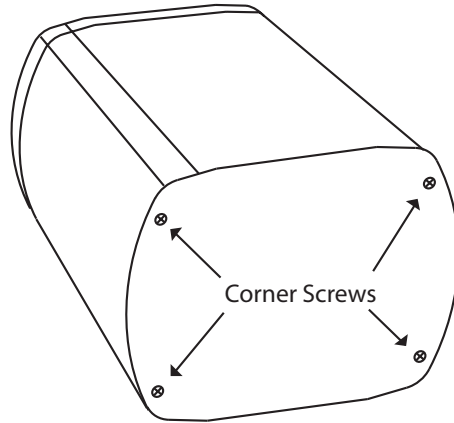
*Figure 2-5 Open Camera with possible connectors*

6. Place the cover over the back of the camera and center.
7. Attach the option card to the rear panel with the two screws removed from the Center Cover Plate (figure 2-6).



*Figure 2-6 Camera Back with Cover Plate Screws*

8. Replace the four screws holding the Camera Back (figure 2-7).



Rear Of Camera

*Figure 2-7 Camera Back with Back Cover Screws*

# Trigger Card Wiring

## Wiring Overview

The OPT-304 trigger card is designed to accept up to four triggers. The triggers are connected via a 13-prong connector on the back of the trigger card.

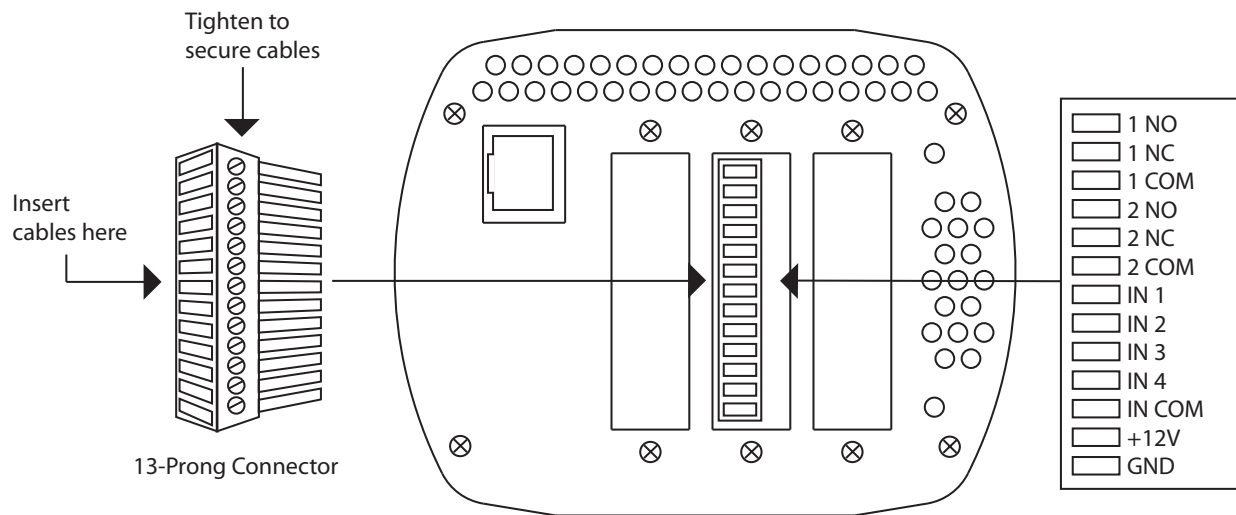


Figure 3-1 Rear Of Device

## Activating The Card

The trigger card will not operate until it is “turned on”. This is done by providing a jumper from the “+12” pin to the “IN COM” pin using 18-28 AWG wire.

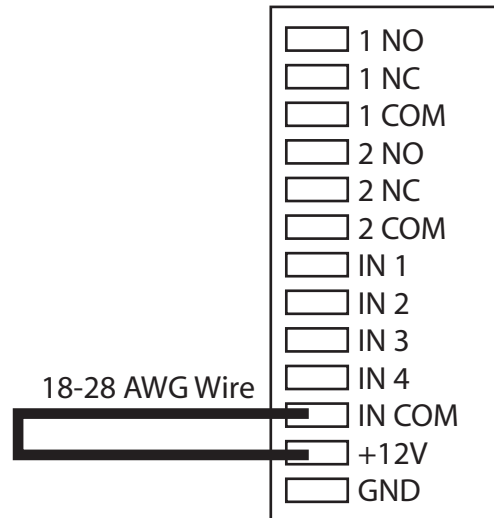


Figure 3-2 Card Activation

## Connecting A Switch

The trigger card operates with SPNO (Single Pole Normally Open) switches. When the circuit is complete the trigger action occurs. A switch circuit goes from the “GND” pin to one of the “IN” pins. Use 18-28 AWG wire for the connections.

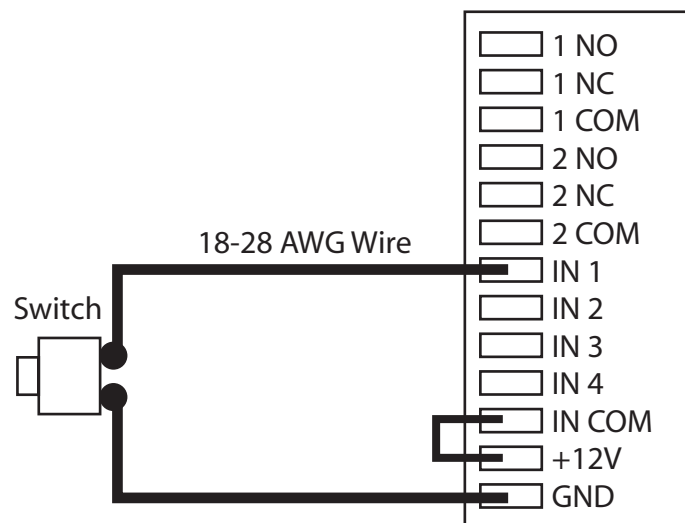


Figure 3-3 Switch Circuit

### Connecting All Four Switches

All of the switch circuits use the same ground pin. To use all four possible switches, use the “GND” pin as common ground for the switches.

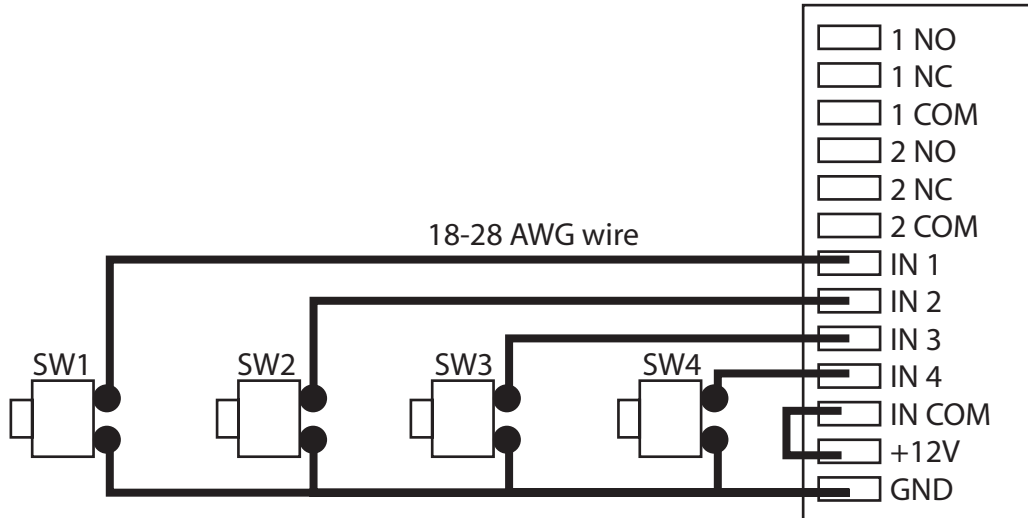


Figure 3-4 Connecting All Four Switches

## Completed System

The OPT-304 Trigger Card should appear similar to Figure A-1 below when installed.



*Figure A-1. OPT-304 Trigger Card Installed*

## Customer Supplied Equipment

The following equipment and tools are required. The customer is assumed to have already purchased an e-Watch camera. Power supply and mounting brackets are also required from the customer to complete installation.

### 1. Equipment

- a. **e-Watch Camera - CAM-3XX**
- c. **OPT-304 Option Card**

### 2. Tools

- a. **#1 Philips Screwdriver or T-9 Torx Driver**
- b. **10 mm Wrench**